

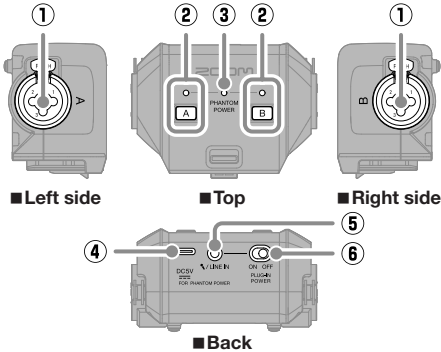
EXH-6e External Input

EN

Features

- Capsule that adds 2 lockable XLR/TRS input jacks to the recorder
- Input gain adjustment is unnecessary, and equipment ranging from mics to line level devices can be connected
- Phantom power supply is supported, and condenser mics can be used
- MIC/LINE stereo mini input jack also built in (supports plug-in power)

Functions of parts

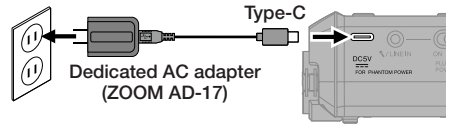


- ⑤ **MIC/LINE IN jack (stereo mini)**
Other mics and devices can be connected here. This also supports mics that use plug-in power.
- ⑥ **PLUG-IN POWER ON/OFF switch**
Turn this ON when connecting a mic that requires plug-in power to the MIC/LINE jack.

Connection example



When connecting condenser mics and other devices that require phantom power, use an external power supply.



Do not supply phantom power to devices that are not compatible with it. Doing so could damage the device.

Specifications

- **INPUT A/B jacks**
Connectors: XLR/TRS combo jacks (XLR: 2 HOT, TRS: TIP HOT) | Input gain: adjustment unnecessary | Input impedance: 3.8 kΩ or higher (MIC) / 39 kΩ or higher (LINE) | Maximum input level: -4 dBu (MIC) / +16 dBu (LINE) | Phantom power: +48 V, 10 mA maximum per channel | Equivalent input noise: -120 dBu or less (IHF-A) at 150Ω input
- **MIC/LINE jack**
Connector: stereo mini jack | Input gain: adjustment unnecessary | Input impedance: 2 kΩ or higher
- **Dimensions**
78.1 mm (W) × 56.7 mm (D) × 43.9 mm (H)
- **Weight**
96 g

Software and documents related to this product can be found at this website.
zoomcorp.com/help/exh-6e



Before using this recorder, check its firmware version and update it as necessary.
The latest update files can be downloaded from the ZOOM website (zoomcorp.com/help/exh-6e).
For details, see the firmware update guide.