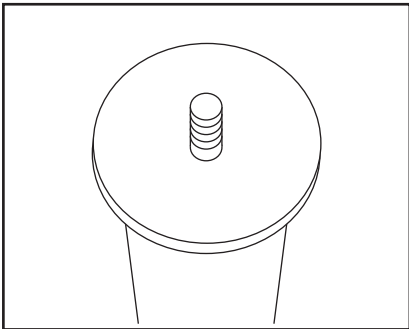


Precaution with attaching products to tripod heads

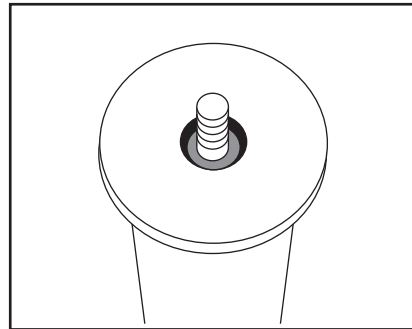
If a tripod head that has a gap around the screw is used, more force than is necessary could be applied to the screw hole (tripod mounting threads), resulting in damage, when the product is attached. We recommend being careful not to over-tighten the connection or using a tripod head that does not have a gap around the screw.

Recommended



Tripod without gap around screw

Not recommended

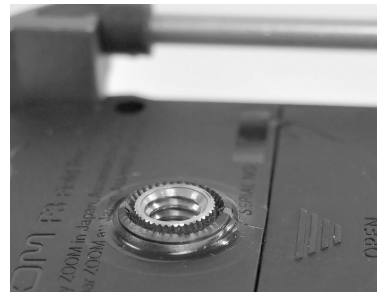
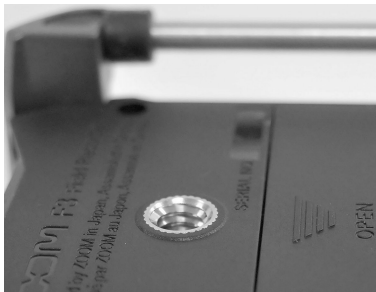


Tripod with gap around screw

Normal product



Damage example



Tightening too much will damage the tripod screw hole.
This kind of damage is not covered by warranty.