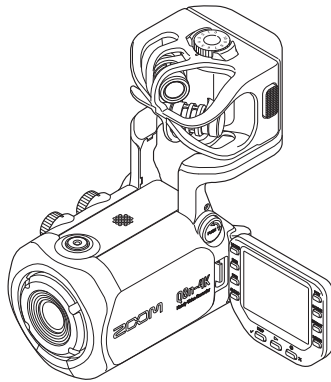


Q8n-4K

Handy Video Recorder



Quick Tour

You must read the Usage and Safety Precautions before use.



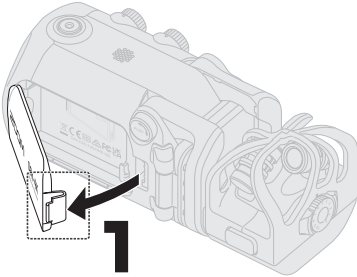
The Operation Manual can be downloaded from the ZOOM website (www.zoom.jp/docs/q8n-4k).

This page has files in PDF and HTML formats.

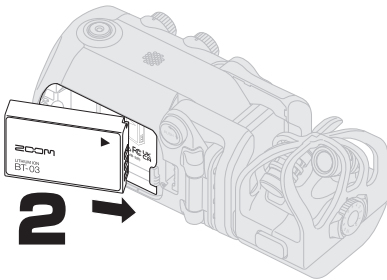
The PDF file format is suitable for printing on paper and reading on a computer.

The HTML format can be read with web browsers and is designed for reading on smartphones and tablets.

Installing the battery



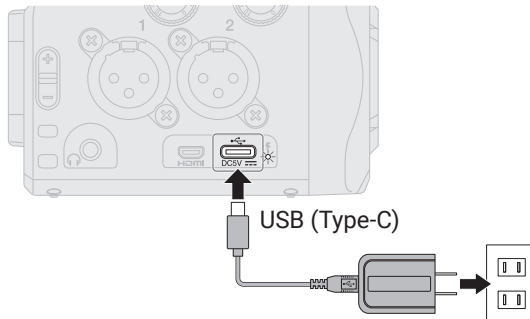
While pressing the latch, open the battery cover.



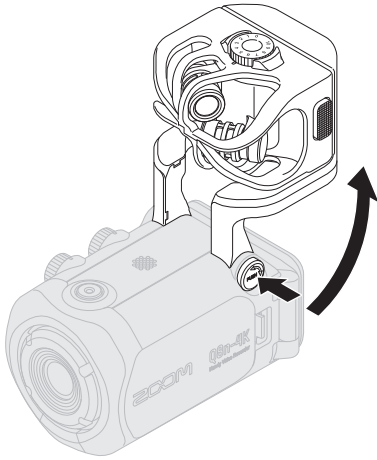
Install the rechargeable battery and close the battery cover.

Recharging the battery


With the Q8n-4K power off, connect a USB power supply (running computer or ZOOM AD-17 AC adapter) to the USB (Type-C) port. The charging LED will light red and recharging will start. After charging has completed, the charging LED will become unlit.



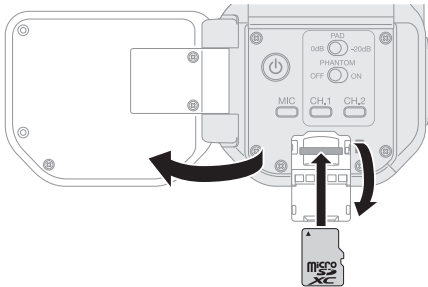
Raising the mic arm



While pressing , raise the mic arm.

To put the mic arm away, while pressing , fold it down.

Inserting microSD cards



To remove a microSD card, push it further into the slot and then pull it out.

Inserting or removing a microSD card while the power is on could result in data loss. When inserting a microSD card, be sure to insert the correct end with the top side up.

Supported recording media

microSDHC: 4 GB – 32 GB

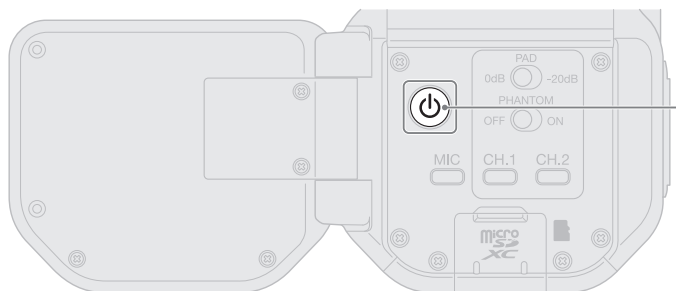
microSDXC: 64 GB – 512 GB

- Use a microSD card that is Class 10 or higher.


When recording at 4K resolution, use a microSD card that is UHS Speed Class 3 or higher.

When recording for long periods of time with a microSDHC card, recording files will be split every 4 GB. When using a microSDXC card, recording to a single file is possible even if the file size exceeds 4 GB.

Turning the power on



1

Press and hold  to turn the power off.

Making settings when first turned on

Language setting



2

Date/time setting



After confirming the date and time setting, the Startup Screen will appear.

Formatting microSD cards

After purchasing a new microSD card, always format it to maximize performance.



1

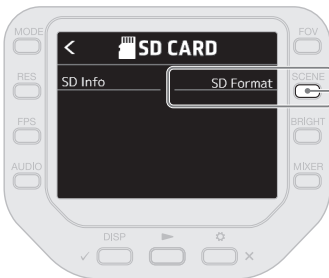


4



2

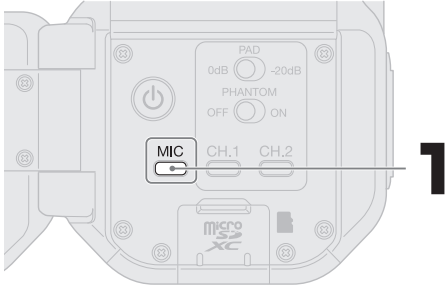
All data previously saved on a microSD card will be deleted when it is formatted.




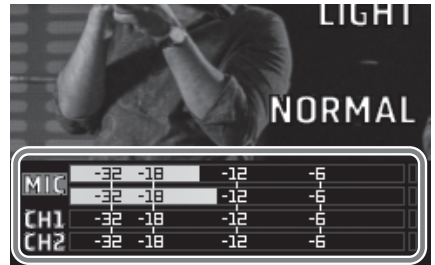
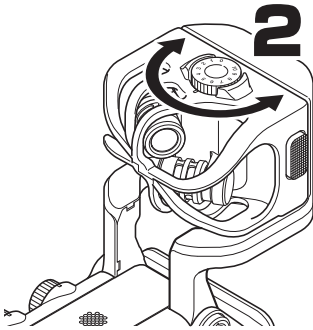
3

Recording

Using the mic capsule

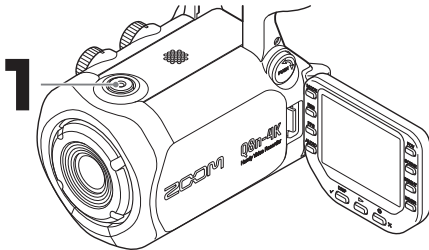



Press  so that it lights.



Adjust so that the level meter becomes -12 dB when the loudest sounds are input.

Recording



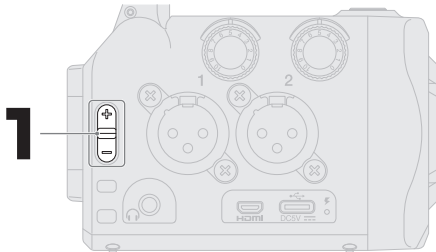
Press  again to stop video recording.

Playing recordings



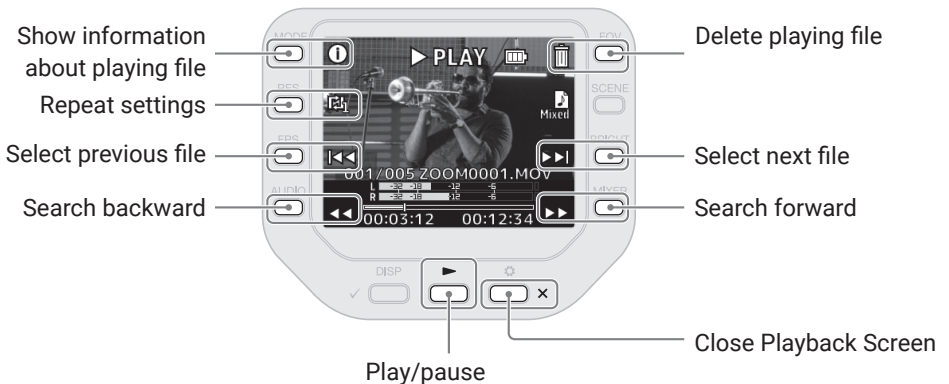
1

Adjusting the volume



Adjust the volume of the built-in speaker and headphones.

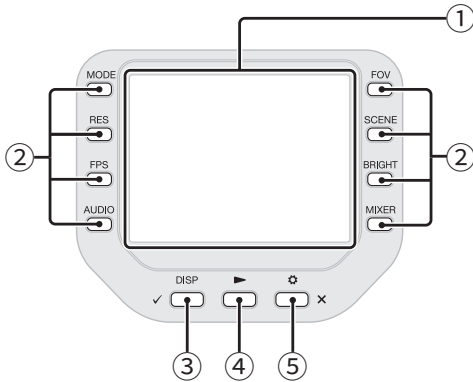
Operations during playback



Functions of parts

■ Back

Display closed



① Display (LCD)

This shows the video and various types of information.

② Function buttons

Use these to operate the functions shown on the display.

③ DISP/Check button

Change what is shown on the Recording Screen and Playback Screen. Use this to confirm operations on confirmation screens.

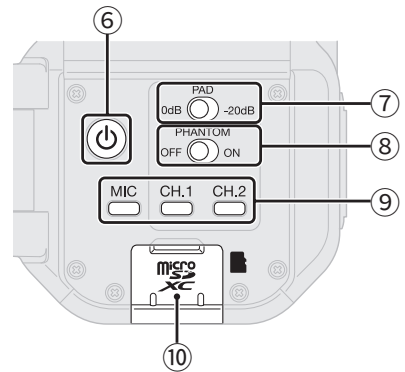
④ Play button

Use this to play files recorded by the Q8n-4K.

⑤ Settings/Exit button

Use this to open and close the SETTINGS Screen, for example. Use this to cancel on setting and confirmation screens.

Display open



⑥ Power button

This turns the power on/off.

⑦ PAD switch

This attenuates the input signals of equipment connected to CH.1/2 by 20 dB.

⑧ PHANTOM switch

This turns the CH.1/2 phantom power ON/OFF.
Set the phantom power voltage from the SETTINGS Screen.

⑨ Channel buttons

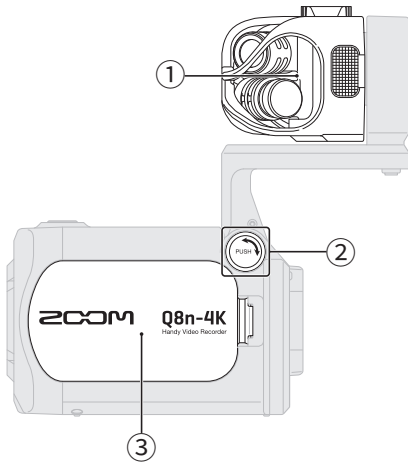
These turn each channel on/off.

⑩ microSD card slot

Insert a microSD card here.

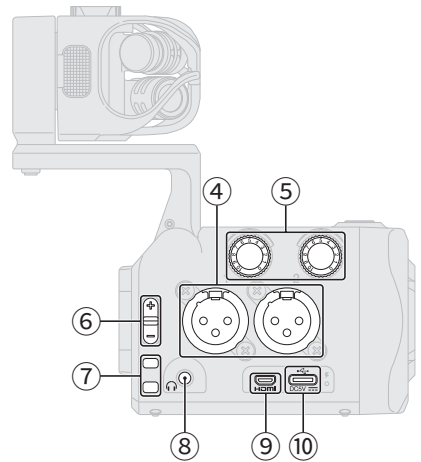
■ Sides

Left side



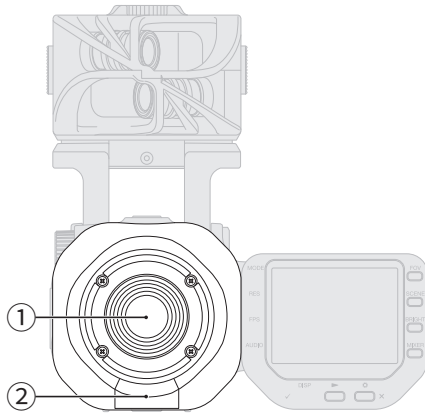
- ① **Mic capsule**
This is an XY stereo mic capsule. Other mic capsules (sold separately) can be swapped for different applications.
- ② **UNLOCK button**
Press in to enable moving the mic arm.
- ③ **Battery cover**
Remove this when installing or removing a battery.
- ④ **Inputs 1/2**
Connect mics and instruments to these. These can be used with XLR plugs.
- ⑤ **Input volume 1/2**
These adjust input volumes.

Right side

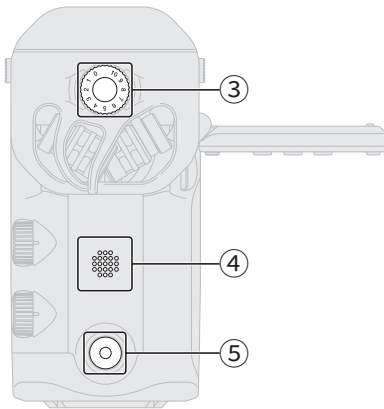


- ⑥ **Output volume**
This adjusts output volume.
- ⑦ **Strap holes**
Use these to attach a strap.
- ⑧ **Headphone output jack**
This can output sound to headphones.
- ⑨ **Micro HDMI port**
This can output video and audio to an HDMI-compatible TV or other device.
- ⑩ **USB (Type-C) port**
Connect this to a computer or iOS/iPadOS device to use the Q8n-4K as a web camera, card reader or USB mic. A dedicated AC adapter (ZOOM AD-17) can also be connected here to use AC power. Connecting this when the power is off will charge the battery.

■ Front

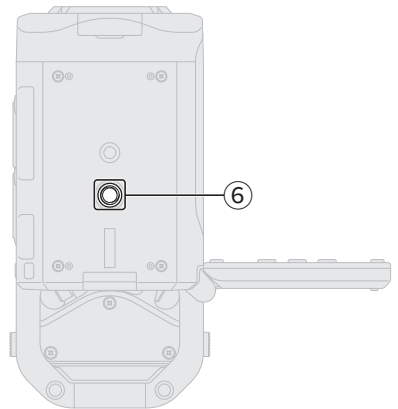


■ Top



- ① **Lens**
This lens has F2.8 brightness and a 150° wide angle.
- ② **REMOTE connector**
Connect a BTA-1 or other dedicated wireless adapter here. This enables operation of the Q8n-4K from an iOS/iPadOS device using a dedicated controller app.
- ③ **Mic input volume**
This adjusts the mic input volume.

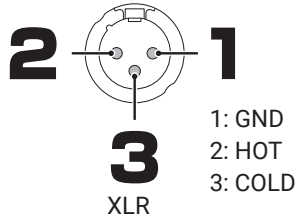
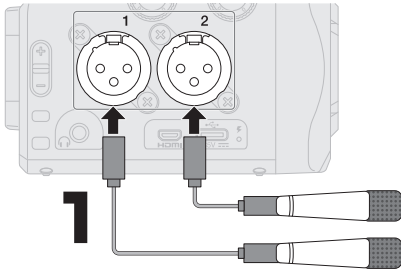
■ Bottom



- ④ **Speaker**
Sound is output here during file playback.
- ⑤ **Record button**
This starts recording video/audio.
- ⑥ **Tripod mounting threads**
Use these screw threads to attach a tripod (not included).

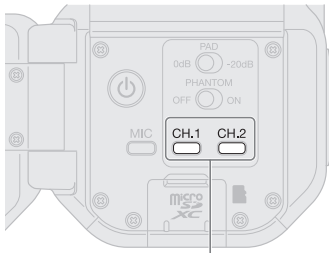
Using external mics

External mics can be connected to the Q8n-4K.



Set the PHANTOM switch according to the connected mic(s).

Dynamic mic(s)	PHANTOM OFF <input type="radio"/> ON <input type="radio"/>
Condenser mic(s)	PHANTOM OFF <input type="radio"/> ON <input type="radio"/> +12V/+24V/+48V can be selected.

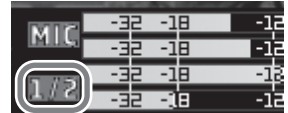


Press CH.1 CH.2 to light the channels that have mics connected to them.

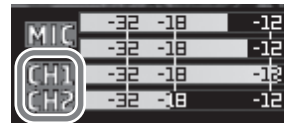
Stereo linking can be turned on/off by pressing CH.2 while pressing CH.1.

When stereo linking is on, CH.1 and CH.2 are treated as a single stereo channel.

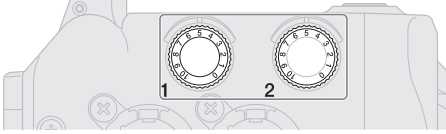
Stereo link on



Stereo link off



4

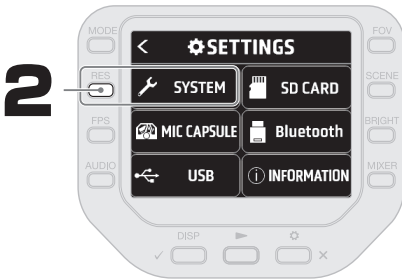


Adjust so that the level meter shows -12 dB when the loudest sounds are input.

Setting phantom power voltage



1



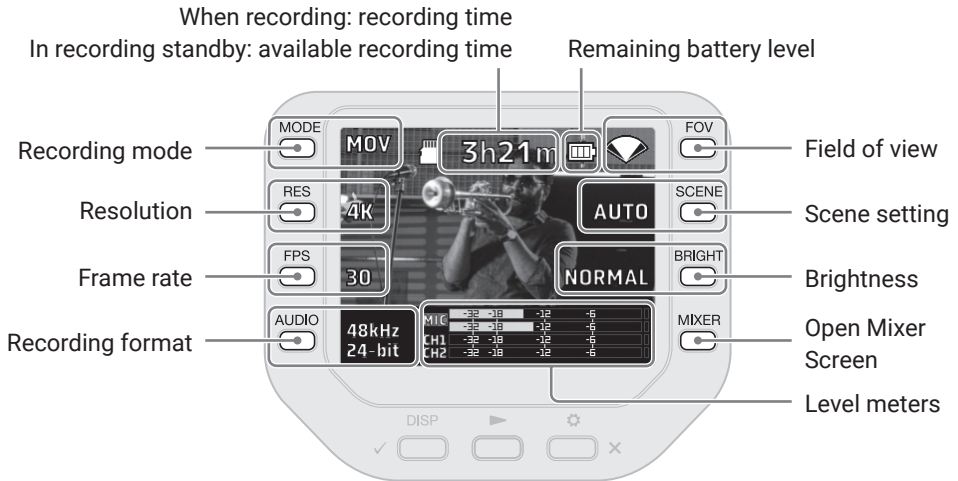
2



3

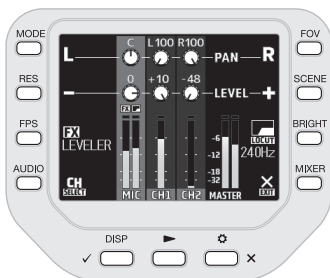
Recording screen

Use the buttons on the left and right sides of the display to change recording settings. The amount of time that can be recorded to a microSD card depends on recording settings.



Mixer Screen

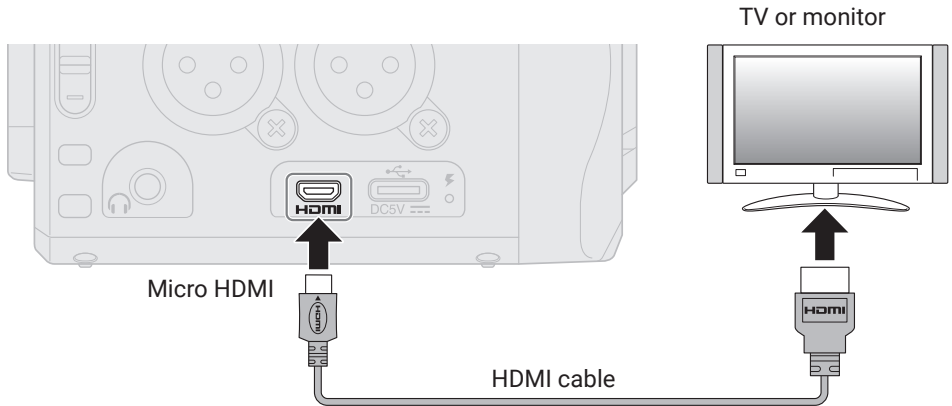
On the Mixer Screen, the panning, volume, effect and low-cut settings can be set for each channel.



L	Pan the sound to the left
R	Pan the sound to the right
—	Lower the volume
+	Raise the volume
FX	Effect
LOCUT	Low cut setting
CH SELECT	Change selected channel
EXIT	Exit the Mixer Screen

Playback on a TV or monitor connected by HDMI

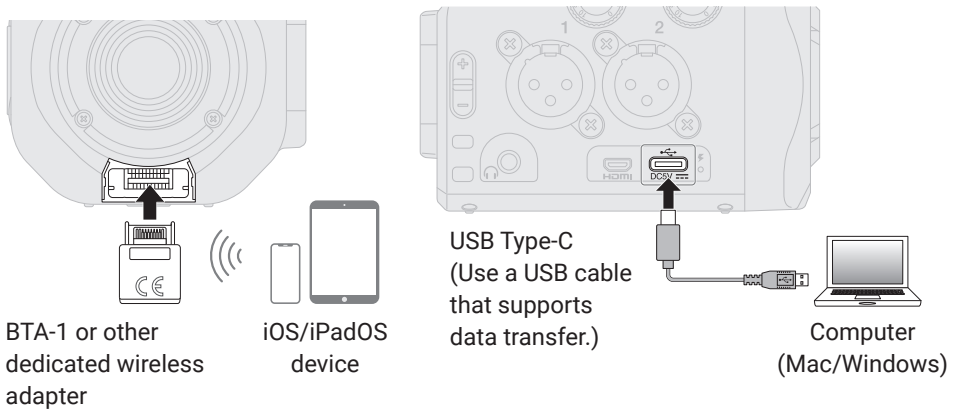
Recorded videos can be played back on a TV or monitor by connecting it to the Q8n-4K using an HDMI cable.



Q8n Control and HandyShare

By connecting a BTA-1 or other dedicated wireless adapter to the Q8n-4K, an iOS/iPadOS device with the Q8n Control app can be used to operate it wirelessly.

In addition, by connecting the Q8n-4K to a computer, the HandyShare application can be used to edit video and audio.



Troubleshooting

There is no sound or output is very quiet

- Check the connections with connected output devices and their volume settings.
- Confirm that the Q8n-4K volume is not set low.

Recorded sound cannot be heard or is very quiet

- If you are using a mic capsule, confirm that the input level settings are suitable and that it is oriented correctly.
- Check the input level settings.
- If another device is connected to an input jack, raise the output level of that device.
- If a condenser mic is connected to an input jack, check the phantom power and phantom power voltage settings.
- If using an input jack, confirm that PAD is set appropriately.

Recording audio/video is not possible

- Confirm that the button indicators for the channels to be recorded are lit red.
- Confirm that the microSD card has open space.
- Confirm that a microSD card is loaded properly in the card slot.

The recorder becomes warm

- The unit and the microSD card might become warm but this is not a malfunction.
- If the internal temperature becomes too high when using the Q8n-4K, a warning will sound and the power will turn off automatically. Wait for the temperature to decrease before using it again.

A "Low Speed Card!" warning appears frequently/Stopping recording takes a very long time

- microSD cards can become worn out. Speed can decrease after repeated writing and erasing.
- Formatting the card with the Q8n-4K might improve this.
- If formatting a microSD card does not improve this, we recommend replacing the card. Please check the list of cards that have been confirmed to work on the ZOOM website (zoomcorp.com).

Charging is slow or not possible

- The battery will not charge while the recorder is on.

Computer does not recognize it even though it is connected to a USB port

- Confirm that the USB cable being used supports data transfer.

HDMI®

HIGH-DEFINITION MULTIMEDIA INTERFACE

Product names, registered trademarks and company names in this document are the property of their respective companies. Windows® is a trademark or registered trademark of Microsoft® Corporation. Mac, iPhone, iPad and iPadOS are trademarks or registered trademarks of Apple Inc.

iOS is a trademark or registered trademark of Cisco Systems, Inc. in the USA and other countries, and it is used under license. The terms HDMI and HDMI High-Definition Multimedia Interface, and the HDMI Logo are trademarks or registered trademarks of HDMI Licensing Administrator, Inc. in the United States and other countries.

All trademarks and registered trademarks in this document are for identification purposes only and are not intended to infringe on the copyrights of their respective owners.

ZOOM®

ZOOM CORPORATION

4-4-3 Kanda-surugadai, Chiyoda-ku, Tokyo 101-0062 Japan

zoomcorp.com

Z2I-4304-03